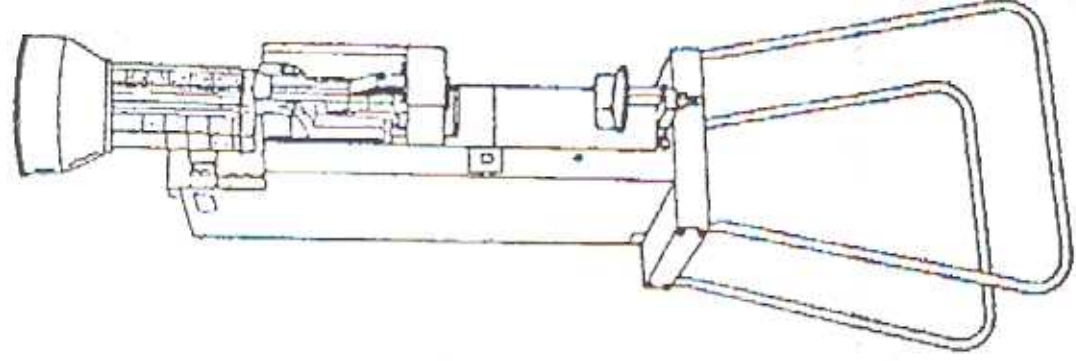


MINI-CORKER



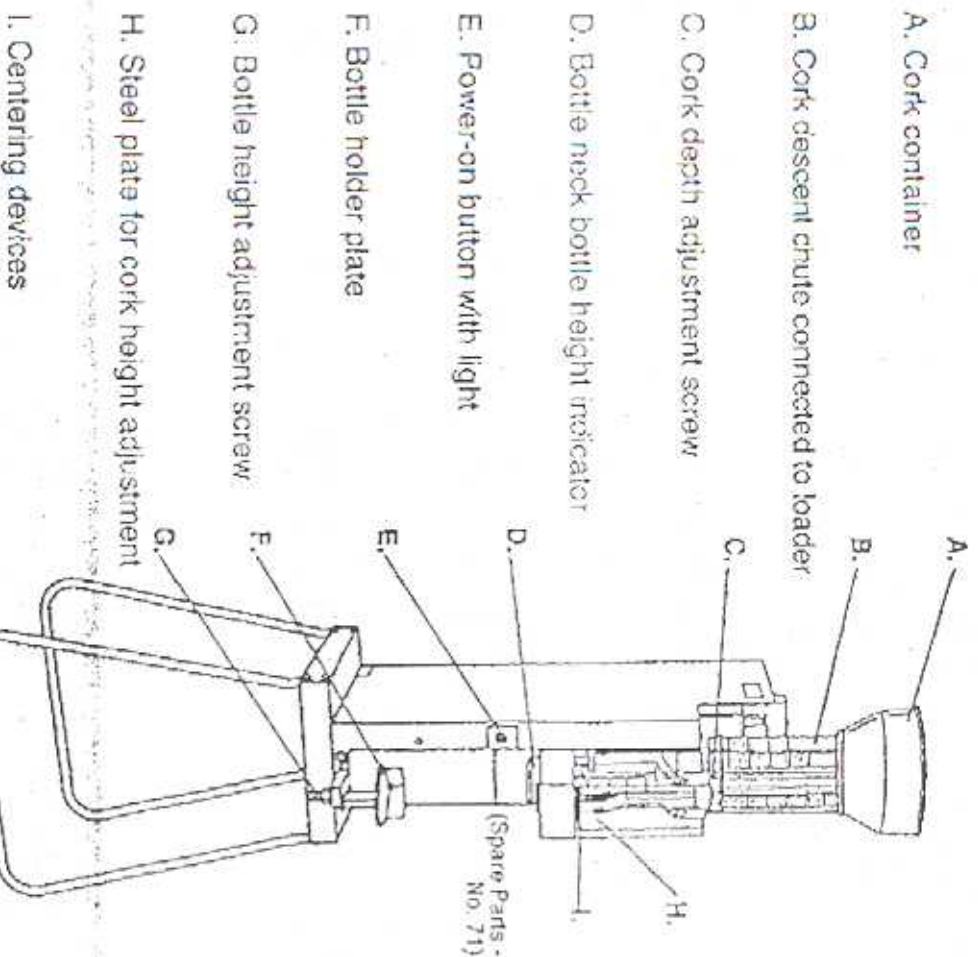
CARE AND MAINTENANCE MANUAL
SPARE PARTS

GENERAL SAFETY PRECAUTIONS

1. guarantees the MINI corks which it produces against casual breakage caused by defective building materials and workmanship.
2. The warranty shall be effective from the date of purchase and/or delivery, and is only valid for the first owner for a period of 12 months for mechanical parts, and 6 months for electrical components.
3. reserves the right to verify the condition of the MINI corks and its components against which warranty claims have been made, for the purpose of valuing the claim.
4. The warranty includes the free replacement only of those components which are shown to be damaged as a result of defective building materials or workmanship, including the cost of labour, material used and transportation relating to the repair of parts under warranty.
5. does not assume responsibility for damages in general, including also to people, losses as a result of lack of profit or production, rental costs and eventual moral and commercial damages, and therefore, the warranty does not provide for such.
6. The warranty does not include coverage for damages brought about by improper or incorrect use, inadequate maintenance, accidents or damages caused during transportation.
7. Parts that can wear out through use, such as chains, belts, supports, etc., are not covered by the warranty.
8. Assembly adjustments and putting into operation are to be undertaken by the distributor, dealer or concessionary agent.
9. Repairs, maintenance or modifications carried out by non-authorized persons or dealers will bring about the immediate cancellation of the warranty.
10. Normal maintenance and adjustments are the responsibility of the owner and therefore excluded from the warranty.
11. Use and assembly of non-original components and accessories shall bring about the immediate cancellation of the warranty.
12. Should the MINI corks show signs of defective materials or workmanship, the owner shall forward a written request for the warranty in the following way:
 13. The machine must be taken to the dealer from whom it was purchased or to an authorized dealer.
 14. The owner must present the warranty card duly filled out in all its parts or, should the card be missing, he must produce the purchase receipt.
 15. The warranty request shall be completed by the dealer who will send it to
 16. whether or not the claim shall be recognised is an irreversible and final decision made by
 17. The warranty shall be effective from the date of the machine being put into operation, which shall not be more than 30 days from the date of dispatch from the factory, and shall run for 12 calendar months.

RESERVES THE RIGHT TO MODIFY, IN PART OR FULLY,
THIS BOOKLET WITHOUT PRIOR NOTICE.

TECHNICAL DESCRIPTION



IMPORTANT

For the efficient functioning of the corker, the specific centering devices (Spare Parts - No. 71) must be used.

Type 1 for corks \varnothing 22-24-25;

Type 2 for corks \varnothing 26-28-30;

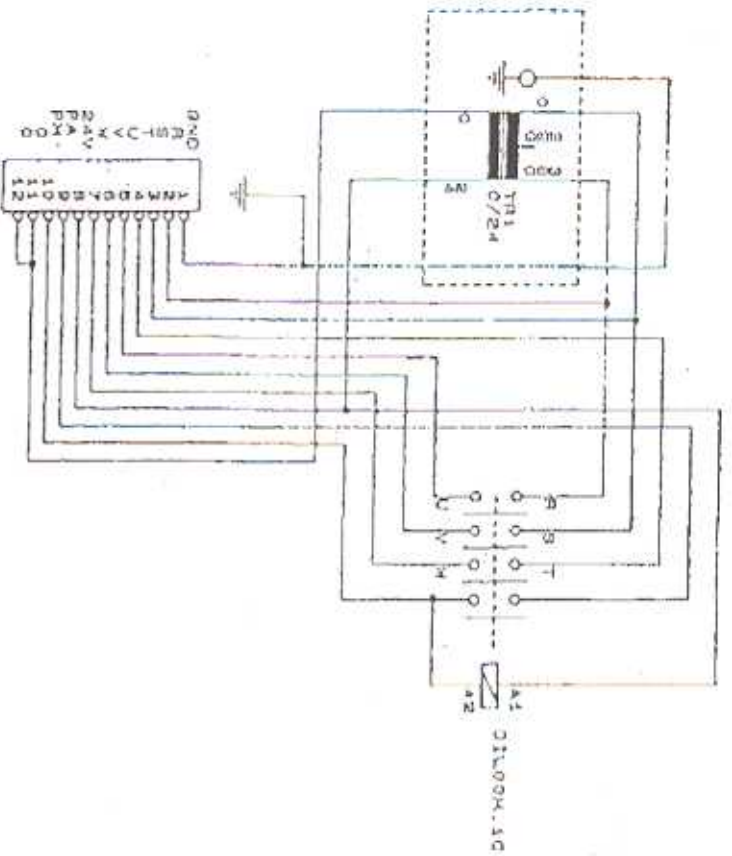
Type 3 for corks up to \varnothing 32.

GENERAL SAFETY RULES

1. Improper use and irregular maintenance may cause injury to persons; to avoid possible accidents, carefully follow these safety instructions.
2. Only use the mini-corker after having read this manual. In the event of loss, a copy can be obtained from:
3. Avoid use of the machine by children or non-authorized personnel or personnel not familiar with its operation.
4. The person who uses the mini-corker is responsible for any damages to third parties caused by the machine within its range of operation. It is advisable to keep children, animals and non-authorized people away from the work area.
5. It is important to have a thorough knowledge of the commands, especially those concerning turning the motor off.
6. Ensure that the safety-guards are mounted.
7. NEVER remove the safety-guards: they have been made and placed for the protection of the user. In the event they become damaged, replace them before using them again.
8. Adhere to safety distances.
9. NEVER leave the mini-corker with the motor running. Turn it off, removing the plug from the power supply for safety. This must be done before undertaking any maintenance work.
10. The mini-corker has been made in compliance with the current and most recent safety standards. To always keep it functioning at maximum efficiency and safety, use only original spare parts.
11. Only carry out the maintenance work described in this manual. For more complex work and repairs, consult an authorised dealer.
12. Before turning the machine on, make sure there are no obstacles or foreign objects which could interfere with its correct operation.

IMPORTANT

13. In the event of breakage or violent or unexpected knocks, turn the machine off immediately by pressing the motor's off button.



Titolo	01EPP020	
Size Document Number	Mini Tappetrice	
A	01	REV
Date:	JANUARY 10, 1985/SHAS	1 0 1

USE

1. Connect the mini-corker to the mains power supply.
2. Fill the aluminium container (A) with corks.
3. Shake the corks inside the container (A) to feed the 6 cork loader descent chutes (B) until full.
4. Adjust the steel plate H (Spare parts - No. 55) so that the cork passes 4+5 mm under the plate.
5. Position the bottle on the plate (F) adjusting the height of the neck to the level shown (D) using the screw (G).
6. Push button (E) for corking.
Check the depth of the cork, adjusting the screw (C) as needed.
7. When one of the chutes has no more corks (B), manually turn the loader one notch, then repeat the operation.

ROUTINE MAINTENANCE

CLOSELY OBSERVE ACCIDENT PREVENTION
REGULATIONS IN FORCE

1. Oil with petroleum jelly:
 - the jaw group
 - cork push rod.
2. Oil all the moving mechanical joints with lubricating oil.
3. Lubricate all mechanical parts with grease (using Mobil Fram Tractor type grease).

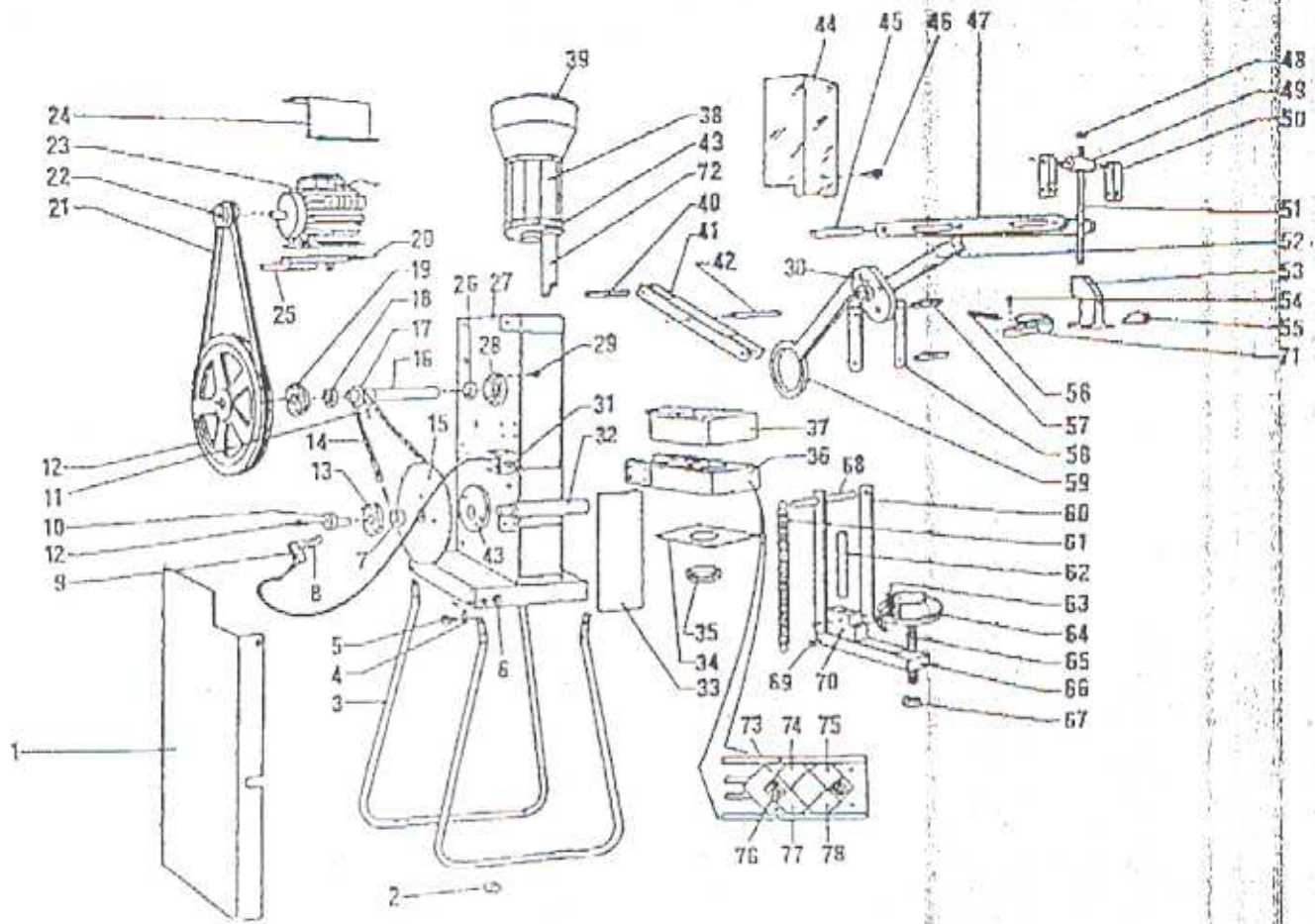
SPECIAL MAINTENANCE

1. Carry out general cleaning of the machine at least every 300 hours, removing all accumulated debris.
2. Carry out a careful cleaning of the cork tightening jaws at least once a week.

IMPORTANT

3. NEVER wash the mini-corker with water!!!

SPARE PARTS



PARTS DESCRIPTION

No. ITEM	QTY	No. ITEM	QTY	No. ITEM	QTY
1 Left side cover	1	27 Parts casing	1	53 Lower cork pusher guide	1
2 Trestle rubber stopper	1	28 Flange	1	54 Screw	1
3 Legs	2	29 Screw	1	55 Cork adjustment plate	1
4 Washer	1	30 Toggle	1	56 Cork centring spring	1
5 Hexagonal head screw	1	31 Power on/off switch	1	57 Pin	2
6 Nut	1	32 Lower spindle	1	58 Lever	2
7 Bearing	1	33 Safety guard	1	59 Eccentric lever	1
8 Microswitch support	1	34 Lower jaw cover	1	60 Plate lift lever	2
9 Microswitch	1	35 Bottle centring ring	1	61 Plate spring	2
10 Micro eccentric	1	36 Complete jaw unit	1	62 Plate guide nut	1
11 Elastic plug	1	37 Upper jaw cover	1	63 Bottle micro-centring part	1
12 Pulley	1	38 Cork decent chutes	1	64 Bottle stand	1
13 Flange	1	39 Cork container	1	65 Plate screw	1
14 Chain	1	40 Pin 1	1	66 Plate support lever	1
15 Crown	1	41 Lever	1	67 Plate regulator nut	1
16 Upper spindle	1	42 Pin	1	68 Spring pin	1
17 Pinion	1	43 Chute support	1	69 Plate centering device	2
18 Bearing	1	44 Plexiglas safe guard	1	70 Small plate block	1
19 Flange	1	45 Pin	1	71 Cork centering device	1
20 Motor support	1	46 Knob	1	72 Final cork-guide chute	1
21 Belt	1	47 Cork-pusher guide lever	1	73 Jaw-pusher	1
22 Motor pulley	1	48 Nut	1	74 Steel jaw	1
23 Motor	1	49 Upper cork-pusher rod guide	1	75 Bronze jaw	1
24 Electric panel safeguard	1	50 Cork-push rod block	2	76 Spring	1
25 Pin	1	51 Cork-pusher rod	1	77 Bronze jaw	1
26 Bearing	1	52 Toggle lever	1	78 Steel jaw	1